



ACROBAT
DOWNLIGHTS

**ACROBAT
4" LED DOWNLIGHT**

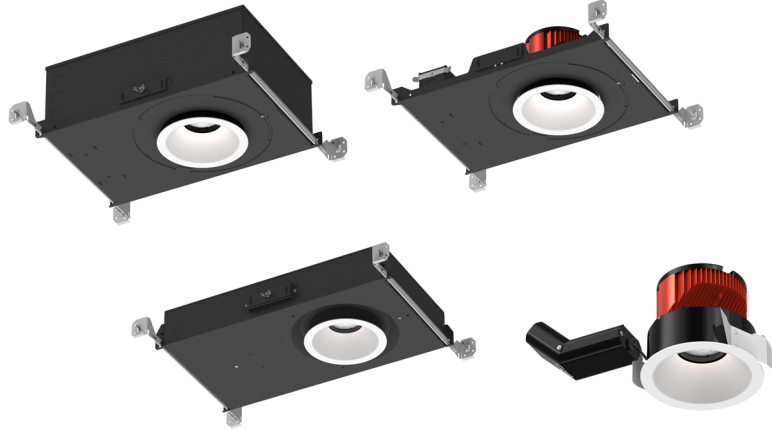
A4-IC, A4-NC, A4-RM
A4-SIC, A4-SNC

PROJECT: _____

TYPE: _____

NOTE: _____

SPEC-00277 ACROBAT 2.0, 4", V-6.2, UPDATED 01/23/2024



SILENT VU™ OPTICS TECHNOLOGY

OPTICS	10°, 30°, 50°, 80° Field Changeable
ADJUSTABLE	0° to 40° tilt (Adjustable housings only)
MEDIA	Clear, Solite, Frosted, Linear Spread, Hex Louver

LED LIGHT ENGINE

RATED WATTAGE	10W, 15W, 20W, 25W, 30W, 35W
DELIVERED LUMENS	Up to 2954 lm @ 4000K-35W-30°Optic
EFFICACY	Up to 102.3 LPW @ 4000K-10W-30°Optic
CCT @ 90CRI	2700K, 3000K, 3500K, 4000K, Warm Dim
COLOR QUALITY	90+ CRI, 2-Step SDCM
LED LIFETIME	55,000 hours @ L90

DELIVERED LUMENS MATRIX

		10° Optic	30° Optic	50° Optic	80° Optic
10 Watt	2700K (90CRI)	903 lm	948 lm	840 lm	737 lm
	3000K (90CRI)	975 lm	1024 lm	907 lm	796 lm
	3500K (90CRI)	998 lm	1048 lm	929 lm	815 lm
	4000K (90CRI)	1028 lm	1079 lm	956 lm	839 lm
	Warm Dim (98CRI)	628 lm	685 lm	597 lm	430 lm
15 Watt	2700K (90CRI)	1363 lm	1431 lm	1268 lm	1113 lm
	3000K (90CRI)	1473 lm	1546 lm	1370 lm	1203 lm
	3500K (90CRI)	1508 lm	1582 lm	1402 lm	1231 lm
	4000K (90CRI)	1552 lm	1629 lm	1443 lm	1267 lm
	Warm Dim (98CRI)	968 lm	1056 lm	921 lm	663 lm
20 Watt	2700K (90CRI)	1665 lm	1748 lm	1549 lm	1360 lm
	3000K (90CRI)	1799 lm	1888 lm	1673 lm	1469 lm
	3500K (90CRI)	1842 lm	1933 lm	1713 lm	1504 lm
	4000K (90CRI)	1895 lm	1990 lm	1763 lm	1548 lm
	Warm Dim (98CRI)	1178 lm	1285 lm	1121 lm	807 lm
25 Watt	2700K (90CRI)	1992 lm	2091 lm	1853 lm	1627 lm
	3000K (90CRI)	2152 lm	2259 lm	2002 lm	1758 lm
	3500K (90CRI)	2203 lm	2313 lm	2049 lm	1799 lm
	4000K (90CRI)	2268 lm	2380 lm	2109 lm	1852 lm
	Warm Dim (98CRI)	1396 lm	1523 lm	1329 lm	957 lm
30 Watt	2700K (90CRI)	2220 lm	2330 lm	2065 lm	1813 lm
	3000K (90CRI)	2398 lm	2518 lm	2231 lm	1959 lm
	3500K (90CRI)	2455 lm	2577 lm	2284 lm	2005 lm
	4000K (90CRI)	2527 lm	2653 lm	2350 lm	2064 lm
	Warm Dim (98CRI)	1539 lm	1678 lm	1464 lm	1054 lm
35 Watt	2700K (90CRI)	2472 lm	2595 lm	2299 lm	2019 lm
	3000K (90CRI)	2671 lm	2804 lm	2484 lm	2081 lm
	3500K (90CRI)	2734 lm	2870 lm	2543 lm	2233 lm
	4000K (90CRI)	2814 lm	2954 lm	2617 lm	2298 lm
	Warm Dim (98CRI)	1855 lm	2023 lm	1765 lm	1271 lm

POWER SUPPLY

INPUT VOLTAGE	120-277V, 50/60Hz
DIMMING	Multiple dimming drivers available
SERVICEABILITY	Below Ceiling Access

TRIM OPTIONS

- Fixed or Adjustable
- Standard or Trimless
- Wall Wash
- Round or Square
- Pinhole, Slot Pinhole
- Wet Location

TRIM COLORS

- White
- Champagne
- Black
- Satin Aluminum
- Custom Color

REFLECTOR COLORS

- White
- Champagne
- Black
- Satin Aluminum
- Clear Alzak
- Custom Color

HOUSING INSTALLATION

- New Construction includes (2) galvanized steel adjustable hanger bars
- Remodel option available
- 5/8" – 2" ceiling thickness
- Min Plenum Height: 2½" Shallow, 5½" Adjustable
- Ceiling Material: Drywall, T-bar grid, Wood and Millwork
- Steel junction box with up to (6) ½" knockouts
- IC, SIC models are Air Tight
- IC, SIC models are CCEA (Chicago Plenum)
(Note: polycell spray-in foam insulation must be kept 3" from housing)

LISTINGS AND WARRANTY

cULus Listed for 40°C Ambient	ASTM E283 Certified Airtight for IC Rated Housings
UL Listed for Damp Location (All Styles)	UL Listed for Wet Location (Wet Location Trim Style)
IC Rated and Non IC Rated Available	CCEA (Chicago Plenum) Approved for IC Rated Housings
Five (5) years limited warranty	CA Title 24-JA8 Compliant





ACROBAT
DOWNLIGHTS

**ACROBAT
4" LED DOWNLIGHT**

A4-IC, A4-NC, A4-RM
A4-SIC, A4-SNC

PROJECT: _____

TYPE: _____

NOTE: _____

SPEC-00277 ACROBAT 2.0, 4", V-6.2, UPDATED 01/23/2024

ORDER MATRIX

A4-IC, A4-NC, A4-RM

4" NEW CONSTRUCTION / REMODEL HOUSING (EXAMPLE: A4-IC-RST-10S-SHB)

HOUSING BASE			
FAMILY APERTURE	INSTALLATION TYPE		TRIM SHAPE
A4- Acrobat 4"	IC	(Adjustable New Construction, IC, CCEA)	-R (Round)
	NC	(Adjustable New Construction)	-S (Square)
	RM	(Adjustable Remodel)	
			ST (Standard) TL (Trimless) WC (Wood Ceiling)
DRIVER ASSEMBLY			
WATTAGE	LED DIMMING DRIVER		HANGER BAR
-10 (10 Watt)	S³	(Universal Dim Driver: 1%-100% 0-10V, TRIAC, ELV, 120V/277V)	-SHB (Standard)
-15 (15 Watt)	L3²	(Lutron Hi-Lume® Dim Driver: 1%-100% EcoSystem, 120V/277V)	-C24 (24" C-Channel)
-20 (20 Watt)	EL1	(EldoLED DALI Dim: 1%-100% DALI, 120V/277V)	-C48 (48" C-Channel)
-25 (25 Watt)	EL2	(EldoLED Dim: 1%-100% 0-10V, 120V/277V)	Hanger bars not included with RM housings.
-30¹ (30 Watt)	DMX	(DMX Dim: 1%-100% DMX, 120V/277V)	
-35^{1,5} (35 Watt)	REMOTE LED DIMMING DRIVER		
	SR1³	(Remote Universal Dim: 1%-100% 0-10V, TRIAC, or ELV, 120V/277V)	(blank) (Standard) -WD⁴ (Warm Dim)

- 30 and 35 Watt options only available for NC (Adjustable New Construction), RM (Adjustable Remodel), SNC (Shallow New Construction) housings.
- Ambient temperature rated for 25 C.
- TRIAC, ELV dimming for 120V only.
- WD CCT must also be selected in Module section.
- 35W not available with the Warm Dim CCT option

4" NEW CONSTRUCTION / REMODEL TRIM (EXAMPLE: A4-2790-RSTWT-STWTNL-30)

FAMILY APERTURE	LED PERFORMANCE		TRIM		
	CCT	CRI	TRIM SHAPE	TRIM STYLE	TRIM FINISH
A4- Acrobat 4"	27 (2700K)	90 (90 CRI)	-R (Round)	ST (Standard)	TL⁷ (Trimless/Wood Ceiling)
	30 (3000K)		-S (Square)	TL (Trimless)	WT (White/)
	35 (3500K)			WC (Wood Ceiling)	BK (Black)
	40 (4000K)				CN (Champagne)
	WD⁶ (1800K~3000K)				SA (Satin Aluminum)
					CC¹ (Custom Color)
REFLECTOR			OPTIC AND MEDIA		
REFLECTOR STYLE	REFLECTOR FINISH	REFLECTOR LENS	OPTIC	MEDIA 1	MEDIA 2
-ST² (Standard)	WT (White)	NL (No Lens)	-10 (10° Spot)	(blank) (None)	(blank) (None)
-PH² (Pinhole)	BK (Black)	CL (Clear)	-30 (30° Narrow Flood)	CL (Clear Lens)	CL (Clear Lens)
-SP² (Slot Pinhole)	CA⁴ (Clear Alzak)	MP (Solite)	-50 (50° Flood)	MP (Solite Lens)	MP (Solite Lens)
-SW⁶ (Wall Wash)	CN (Champagne)	FR (Frosted)	-80 (80° Wide Flood)	FR (Frosted Lens)	FR (Frosted Lens)
-AL^{2,3} (Adjustable Lensed)	SA (Satin Aluminum)			LS (Linear Spread Lens)	LS (Linear Spread Lens)
	CC¹ (Custom Color)			HX⁵ (Hex Louver)	

- Custom color only available for ST (Standard) Trim and ST (Standard), AL (Adjustable Lens) Reflectors only, contact CSL for details.
- Wet Location rated when used with Reflector Lens.
- Must be ordered with corresponding Reflector Lens.
- CA (Clear Alzak) Finish only available for Round reflectors as ST (Standard) or AL (Adjustable Lens) styles.
- Cannot be used with a second Media.
- Media 1 lens required. For WD with 10°, 30°, 50° Optic use MP (Solite Lens). For WD with 80° Optic use FR (Frosted Lens).
- Must be used with TL or WC trim style.
- A Reflector Lens cannot be added with Wall Wash selection





ACROBAT
DOWNLIGHTS

**ACROBAT
4" LED DOWNLIGHT**

A4-IC, A4-NC, A4-RM
A4-SIC, A4-SNC

PROJECT: _____

TYPE: _____

NOTE: _____

SPEC-00277 ACROBAT 2.0, 4", V-6.2, UPDATED 01/23/2024

ORDER MATRIX

A4-SIC, A4-SNC

4" SHALLOW PLENUM NEW CONSTRUCTION HOUSING (EXAMPLE: A4-SIC-RST-02790-30-10S-SHB)

HOUSING BASE					
FAMILY APERTURE	INSTALLATION TYPE			TRIM SHAPE	TRIM STYLE
A4- Acrobat 4"	SIC (Shallow Plenum New Construction, IC, CCEA)			-R (Round)	ST (Standard)
	SNC (Shallow Plenum New Construction)			-S (Square)	TL (Trimless) WC (Wood Ceiling)
CEILING		LED PERFORMANCE		OPTIC AND MEDIA	
CEILING THICKNESS	CCT	CRI	OPTIC	MEDIA 1	MEDIA 2
-0 (5/8" Ceiling Thickness)	27 (2700K)	90 (90 CRI)	-10 (10° Spot)	(blank) (None)	(blank) (None)
-1 (1 1/4" Ceiling Thickness)	30 (3000K)		-30 (30° Narrow Flood)	CL (Clear Lens)	CL (Clear Lens)
-2 (2" Ceiling Thickness)	35 (3500K)	WD² (1800K~3000K)	-50 (50° Flood)	MP (Solite Lens)	MP (Solite Lens)
	40 (4000K)		-80 (80° Wide Flood)	FR (Frosted Lens)	FR (Frosted Lens)
				LS (Linear Spread Lens)	LS (Linear Spread Lens)
				HX¹ (Hex Louver)	
DRIVER ASSEMBLY					
WATTAGE	LED DIMMING DRIVER			HANGER BAR	
-10 (10 Watt)	S⁴ (Universal Dim Driver: 1%-100% 0-10V, TRIAC, ELV, 120V/277V)			-SHB (Standard)	
-15 (15 Watt)	L3³ (Lutron Dim Driver: 1%-100% EcoSystem, 120V/277V)			-C24 (24" C-Channel)	
-20 (20 Watt)	EL1 (EldoLED DALI Dim: 1%-100% DALI, 120V/277V)			-C48 (48" C-Channel)	
-25 (25 Watt)	EL2 (EldoLED Dim: 1%-100% 0-10V, 120V/277V)				
-30¹ (30 Watt)	DMX (DMX Dim: 1%-100% DMX, 120V/277V)				
-35¹ (35 Watt)	REMOTE LED DIMMING DRIVER				
	SR1⁴ (Remote Universal Dim: 1%-100% 0-10V, TRIAC, or ELV, 120V/277V)				

1. 30 Watt and 35 Watt options only available for SNC (Shallow Plenum New Construction).

2. Media 1 lens required. For WD with 10°, 30°, 50° Optic use MP (Solite Lens). For WD with 80° Optic use FR (Frosted Lens).

3. Ambient temperature rated for 25 C.

4. TRIAC, ELV dimming for 120V only.

4" SHALLOW PLENUM NEW CONSTRUCTION TRIM (EXAMPLE: A3-RSTWT-STWT-NL)

TRIM				REFLECTOR		
FAMILY APERTURE	TRIM SHAPE	TRIM STYLE	TRIM FINISH	REFLECTOR STYLE	REFLECTOR FINISH	REFLECTOR LENS
A4- Acrobat 4"	R (Round)	ST (Standard)	TL⁴ (Trimless/Wood Ceiling)	-ST² (Standard)	WT (White)	-NL (No Lens)
		TL (Trimless)	WT (White/)	-PH² (Pinhole)	BK (Black)	-CL (Clear)
	S (Square)	WC (Wood Ceiling)	BK (Black)	-SP² (Slot Pinhole)	CA³ (Clear Alzak)	-MP (Solite)
		CN (Champagne)	SA (Satin Aluminum)	-SW⁵ (Wall Wash)	CN (Champagne)	-FR (Frosted)
		SA (Satin Aluminum)	CC¹ (Custom Color)		SA (Satin Aluminum)	
				CC¹ (Custom Color)		

1. Custom color only available for ST (Standard) Trim and ST (Standard), AL (Adjustable Lens) Reflectors only, contact CSL for details.

2. Wet Location rated when used with Reflector Lens.

3. CA (Clear Alzak) Finish only available for Round reflectors as ST (Standard) or AL (Adjustable Lens) styles.

4. Must be used with TL or WC trim style.

5. A Reflector Lens cannot be added with Wall Wash selection

EMERGENCY OPTIONS

EM-1000 (25W Remote Inverter)

EM-1003-CA (35W Remote Inverter) Title 20

EM-1006 (25W Remote Inverter) Title 20

EM-1002 (10W Remote EM Driver)

EM-1004 (50W Remote Inverter)



ACROBAT
DOWNLIGHTS

**ACROBAT
4" LED DOWNLIGHT**

A4-IC, A4-NC, A4-RM
A4-SIC, A4-SNC

PROJECT: _____

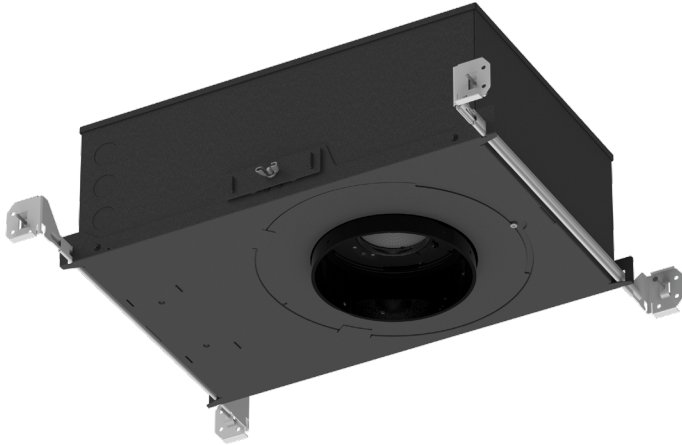
TYPE: _____

NOTE: _____

SPEC-00277 ACROBAT 2.0, 4", V-6.2, UPDATED 01/23/2024

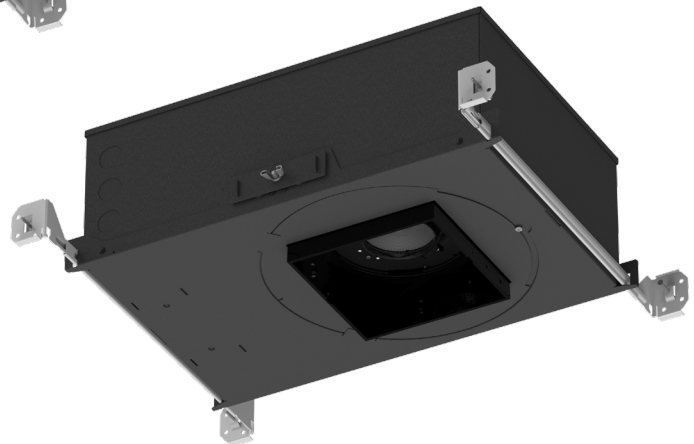
HOUSING AND LIGHT ENGINE LINE DRAWINGS

A4-IC
New Construction IC Housing



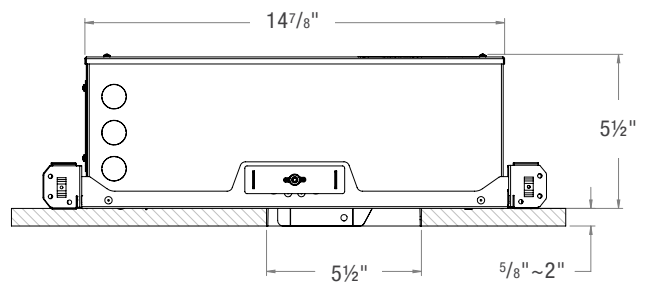
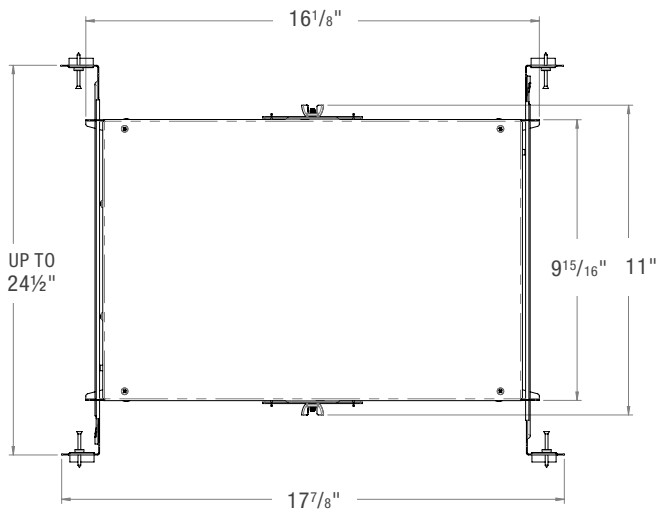
A4-IC-R

Acrobat 4" - Adjustable New Construction IC Housing - Round



A4-IC-S

Acrobat 4" - Adjustable New Construction IC Housing - Square





ACROBAT
DOWNLIGHTS

**ACROBAT
4" LED DOWNLIGHT**

A4-IC, A4-NC, A4-RM
A4-SIC, A4-SNC

PROJECT: _____

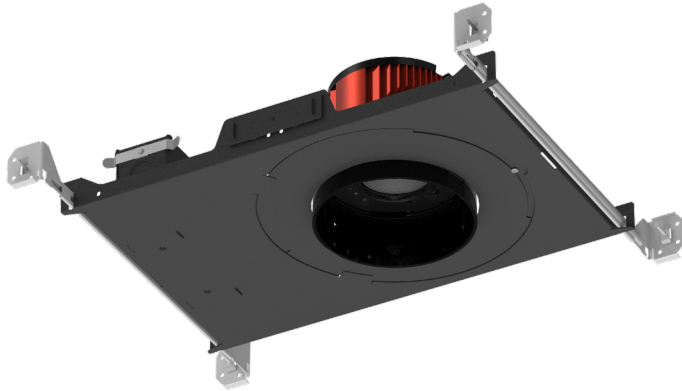
TYPE: _____

NOTE: _____

SPEC-00277 ACROBAT 2.0, 4", V-6.2, UPDATED 01/23/2024

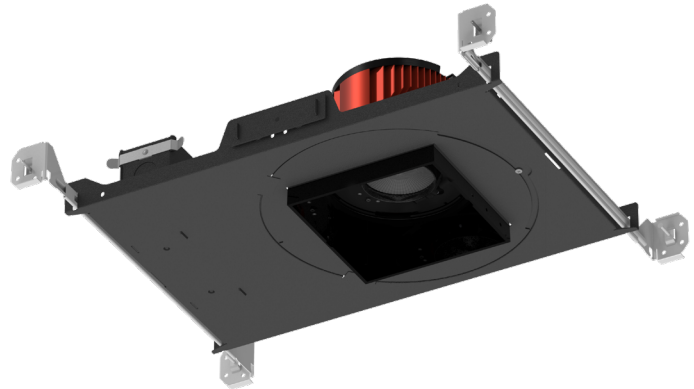
HOUSING AND LIGHT ENGINE LINE DRAWINGS

A4-NC
New Construction Housing



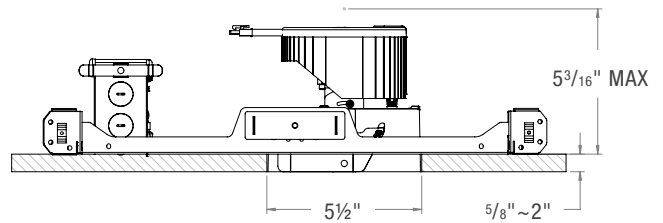
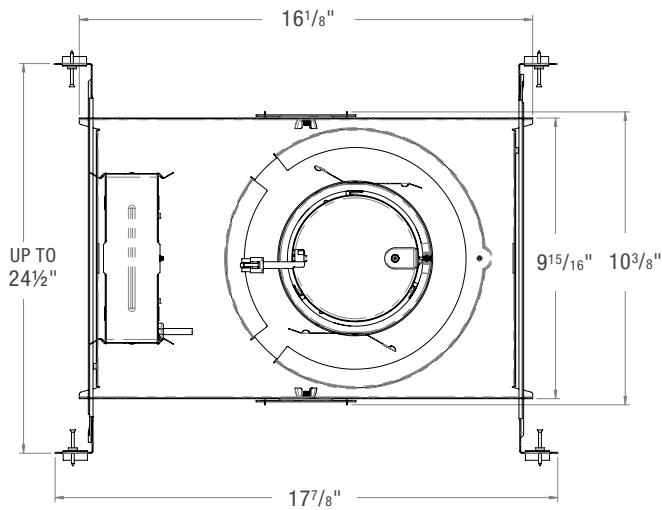
A4-NC-R

Acrobat 4" - Adjustable New Construction Housing - Round



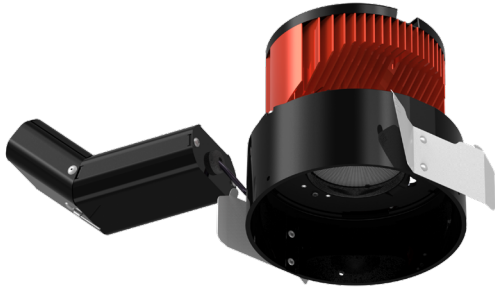
A4-NC-S

Acrobat 4" - Adjustable New Construction Housing - Square



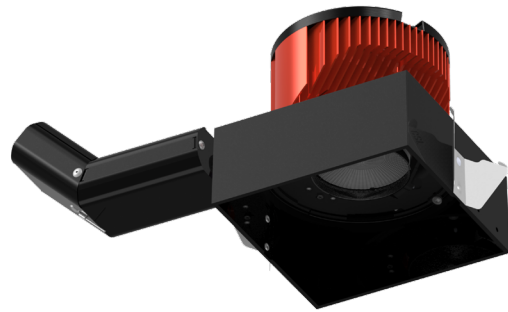
HOUSING AND LIGHT ENGINE LINE DRAWINGS

A4-RM
Remodel Housing



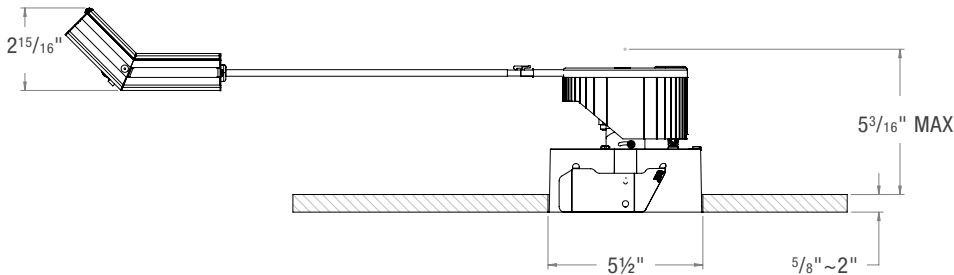
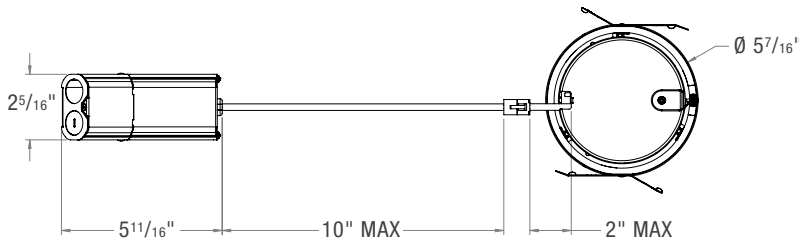
A4-RM-R

Acrobat 4" - Adjustable Remodel Housing - Round



A4-RM-S

Acrobat 4" - Adjustable Remodel Housing - Square





ACROBAT
DOWNLIGHTS

**ACROBAT
4" LED DOWNLIGHT**

A4-IC, A4-NC, A4-RM
A4-SIC, A4-SNC

PROJECT: _____

TYPE: _____

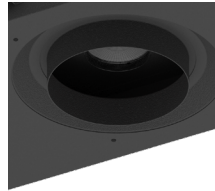
NOTE: _____

SPEC-00277 ACROBAT 2.0, 4", V-6.2, UPDATED 01/23/2024

HOUSING AND LIGHT ENGINE LINE DRAWINGS

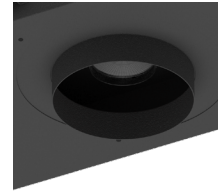
A4-SIC, A4-SNC
Shallow Plenum Housing

CEILING THICKNESS



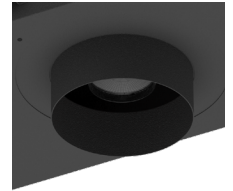
-0

5/8" Ceiling Thickness



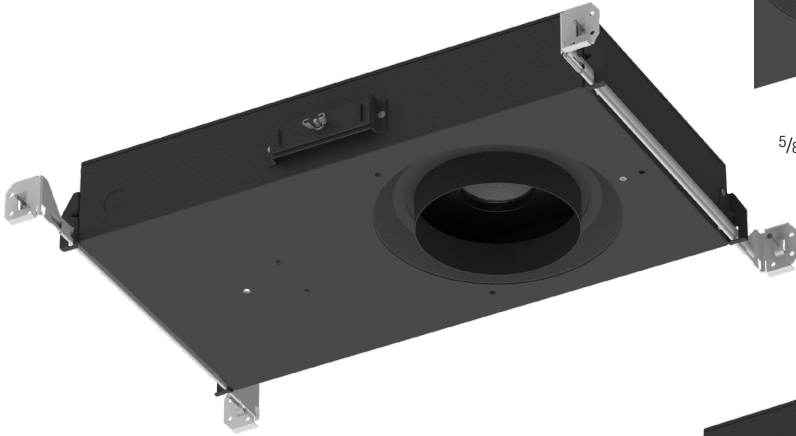
-1

1 1/4" Ceiling Thickness



-2

2" Ceiling Thickness

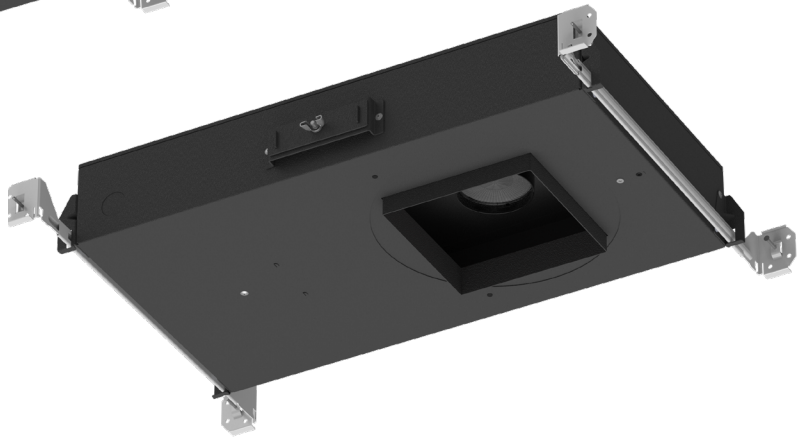


A4-SIC-R

Acrobat 4" - Shallow Plenum New Construction IC Housing - Round

A4-SNC-R

Acrobat 4" - Shallow Plenum New Construction Housing - Round

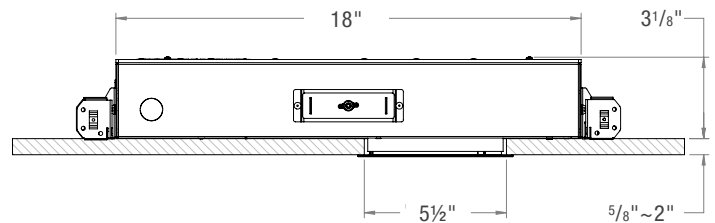
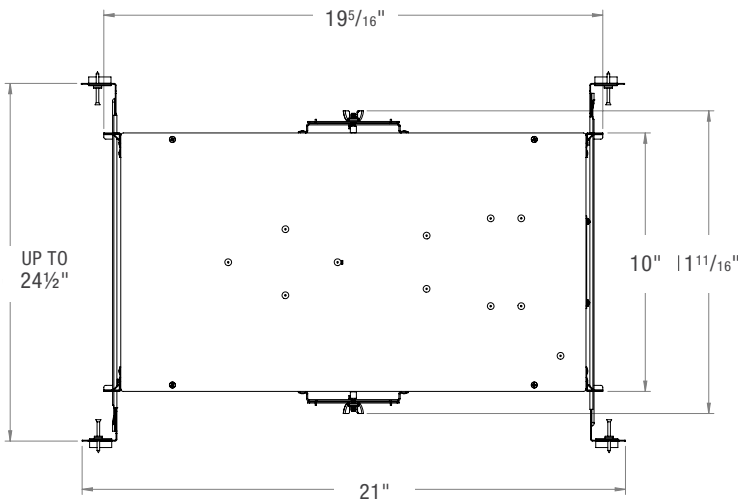


A4-SIC-S

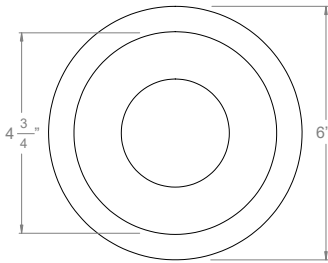
Acrobat 4" - Shallow Plenum New Construction IC Housing - Square

A4-SNC-S

Acrobat 4" - Shallow Plenum New Construction Housing - Square

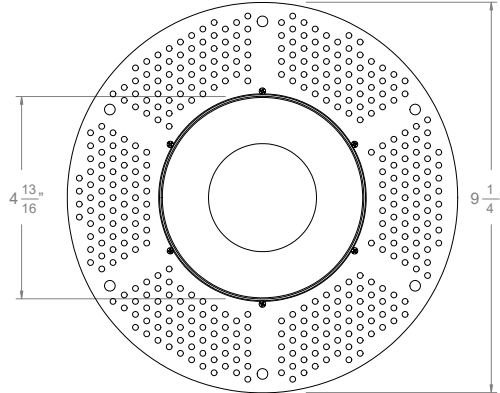
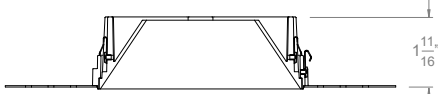
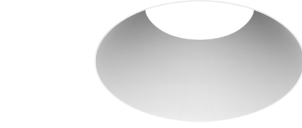


TRIM STYLES



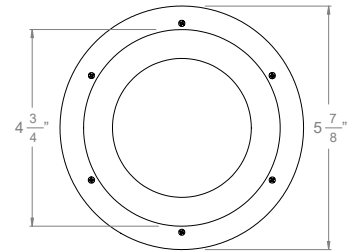
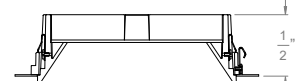
RST

4" Acrobat Round Standard Trim
(with Standard Reflector)



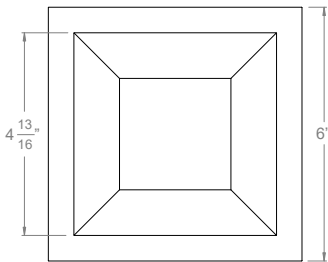
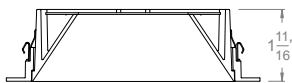
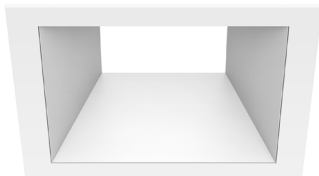
RTL

4" Acrobat Round Trimless Mud Plate
(with Standard Reflector)



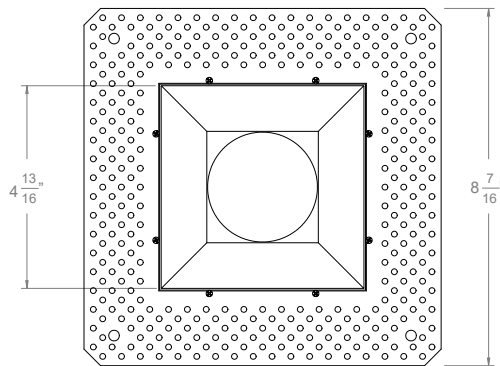
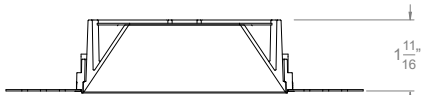
RWC

4" Acrobat Round Wood Ceiling Trim
(with Standard Reflector)



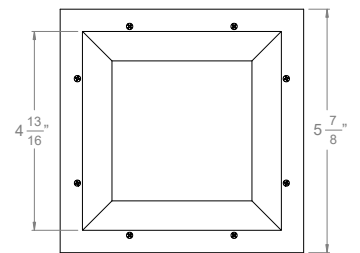
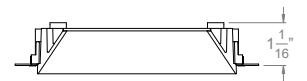
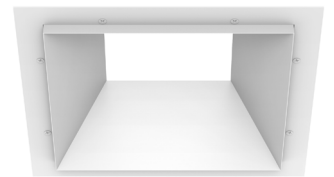
SST

4" Acrobat Square Standard Trim
(with Standard Reflector)



STL

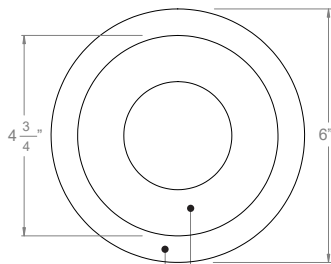
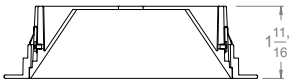
4" Acrobat Square Trimless Mud Plate
(with Standard Reflector)



SWC

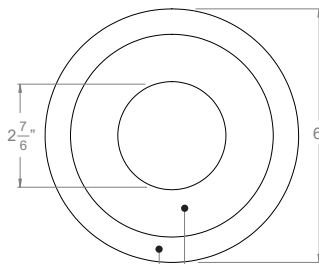
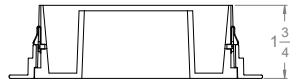
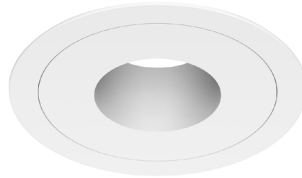
4" Acrobat Square Wood Ceiling Trim
(with Standard Reflector)

REFLECTOR STYLE (ROUND)



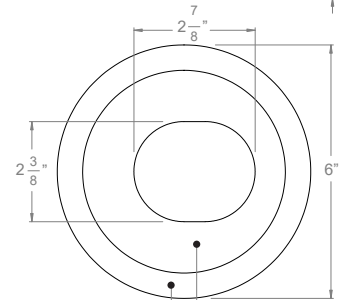
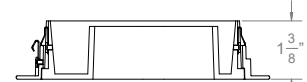
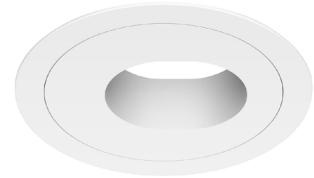
Trim Reflector
RST -ST

4" Acrobat Round Standard Trim with Standard Reflector



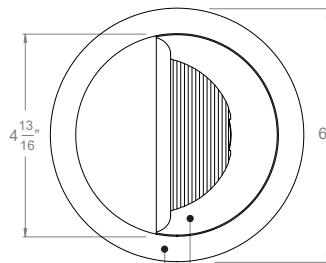
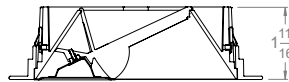
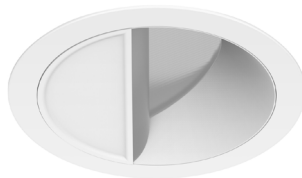
Trim Reflector
RST -PH

4" Acrobat Round Standard Trim with Pinhole Reflector



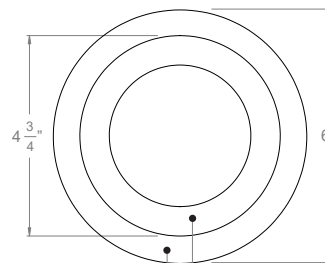
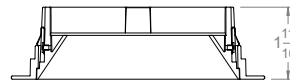
Trim Reflector
RST -SP

4" Acrobat Round Standard Trim with Slot Pinhole Reflector



Trim Reflector
RST -SW

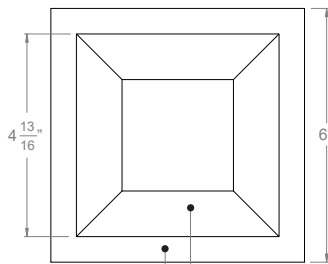
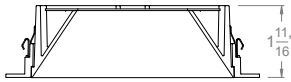
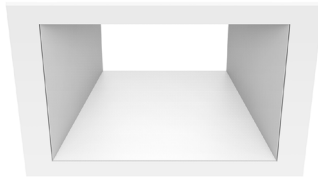
4" Acrobat Round Standard Trim with Wall Wash Reflector



Trim Reflector
RST -AL

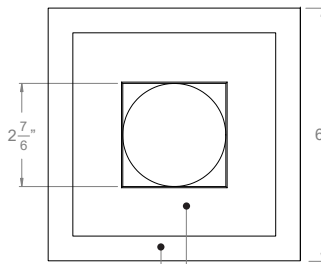
4" Acrobat Round Standard Trim with Adjustable Lensed Reflector

REFLECTOR STYLE (SQUARE)



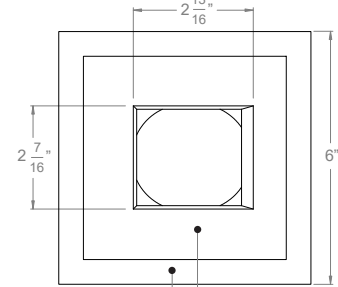
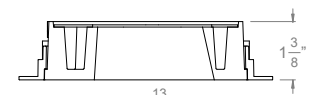
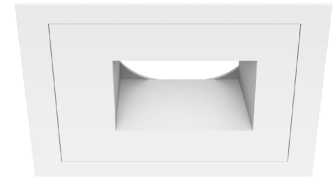
Trim Reflector
SST -ST

4" Acrobat Square Standard Trim
with Standard Reflector



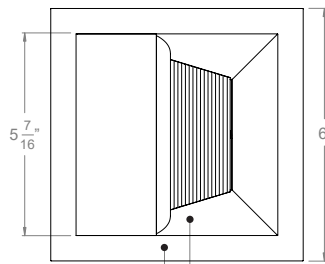
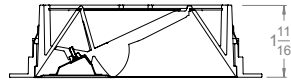
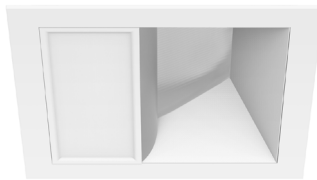
Trim Reflector
SST -PH

4" Acrobat Square Standard Trim
with Pinhole Reflector



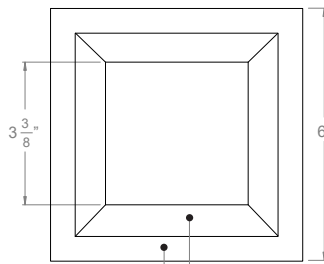
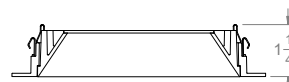
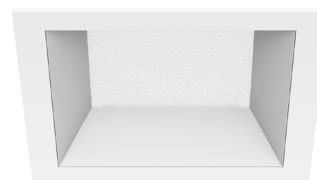
Trim Reflector
SST -SP

4" Acrobat Square Standard Trim
with Slot Pinhole Reflector



Trim Reflector
SST -SW

4" Acrobat Square Standard Trim
with Wall Wash Reflector



Trim Reflector
SST -AL

4" Acrobat Square Standard Trim
with Adjustable Lensed Reflector

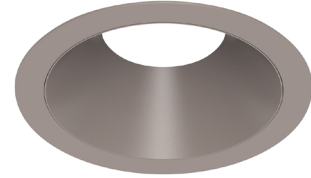
TRIM FINISHES



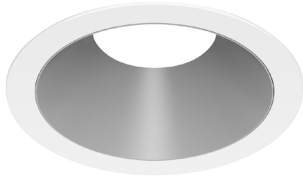
RSTWT-STWT
WT White Trim
WT White Reflector



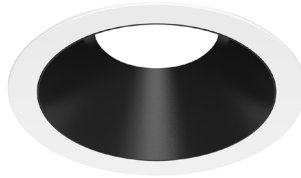
RSTBK-STBK
BK Black Trim
BK Black Reflector



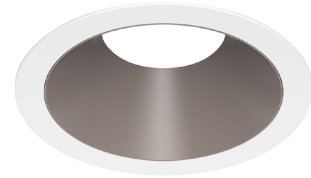
RSTCN-STCN
CN Champagne Trim
CN Champagne Reflector



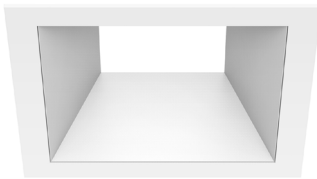
RSTWT-STSA
WT White Trim
SA Silver Reflector



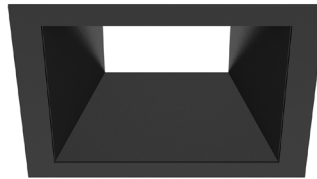
RSTWT-STBK
WT White Trim
BK Black Reflector



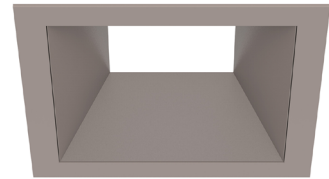
RSTWT-STCN
WT White Trim
CN Champagne Reflector



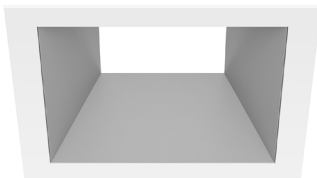
SSTWT-STWT
WT White Trim
WT White Reflector



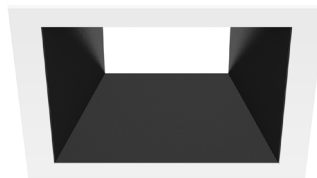
SSTBK-STBK
BK Black Trim
BK Black Reflector



SSTCN-STCN
CN Champagne Trim
CN Champagne Reflector



SSTWT-STSA
WT White Trim
SA Silver Reflector



SSTWT-STBK
WT White Trim
BK Black Reflector

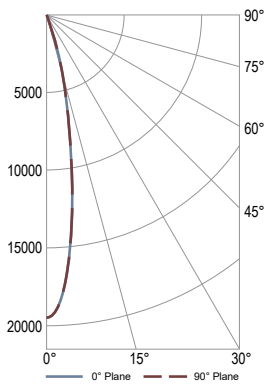


SSTWT-STCN
WT White Trim
CN Champagne Reflector

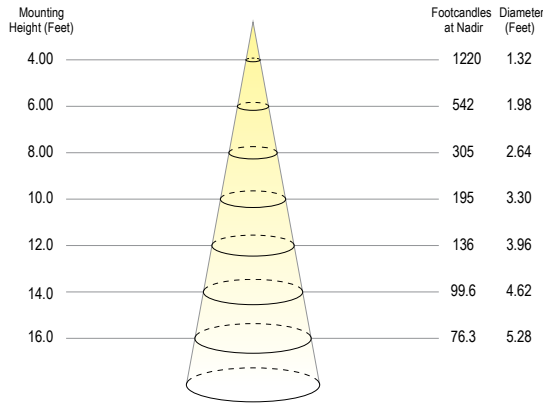
PHOTOMETRICS

Acrobat Downlight 4" NC, RM Models (2700K, 90 CRI, 10° Optic, 35W)
Round, Standard, White Trim

Polar Plot



Cone of Light Tabulation



Voltage	Current	Power
120.1 VAC	0.3156 A	37.45 W

Power Factor	Frequency	Current THD
0.989	60 Hz	11.7%

Summary of Results

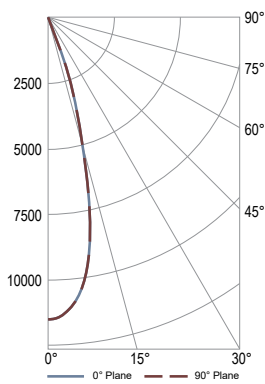
Spacing Criteria 0-180: 0.33
90-270: 0.33

Total Lumen Output: 2717 Lumens
Luminaire Efficacy: 72.5 lm/w
Maximum Candela: 19521 Candela

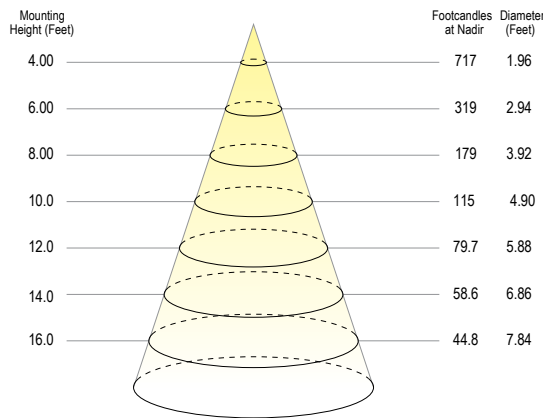
Zone	Lumens	% of Luminaire
0-40	2683	98.7%
0-60	2712	99.8%
0-90	2717	100.0%

Acrobat Downlight 4" NC, RM Models (2700K, 90 CRI, 30° Optic, 35W)
Round, Standard, White Trim

Polar Plot



Cone of Light Tabulation



Voltage	Current	Power
120.0 VAC	0.3162 A	37.5 W

Power Factor	Frequency	Current THD
0.989	60 Hz	11.7%

Summary of Results

Spacing Criteria 0-180: 0.49
90-270: 0.49

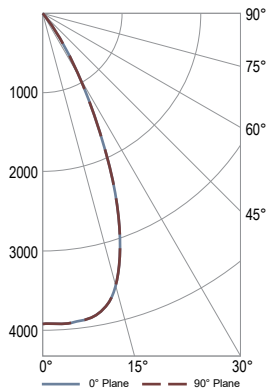
Total Lumen Output: 2852 Lumens
Luminaire Efficacy: 76.0 lm/w
Maximum Candela: 11680 Candela

Zone	Lumens	% of Luminaire
0-40	2818	98.8%
0-60	2846	99.8%
0-90	2852	100.0%

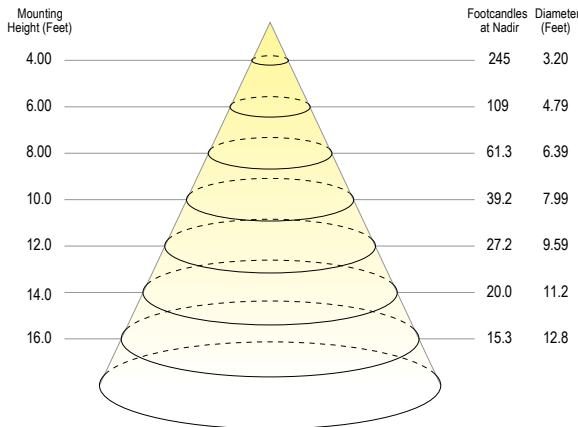
PHOTOMETRICS

Acrobat Downlight 4" NC, RM Models (2700K, 90 CRI, 50° Optic, 35W)
Round, Standard, White Trim

Polar Plot



Cone of Light Tabulation



Voltage	Current	Power
120.0 VAC	0.3180 A	37.68 W

Power Factor	Frequency	Current THD
0.987	60 Hz	12.5%

Summary of Results

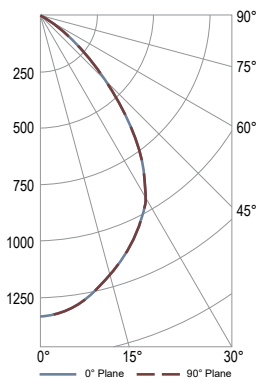
Spacing Criteria 0-180: 0.80
90-270: 0.80

Total Lumen Output: 2527 Lumens
Luminaire Efficacy: 67.1 lm/w
Maximum Candela: 3935 Candela

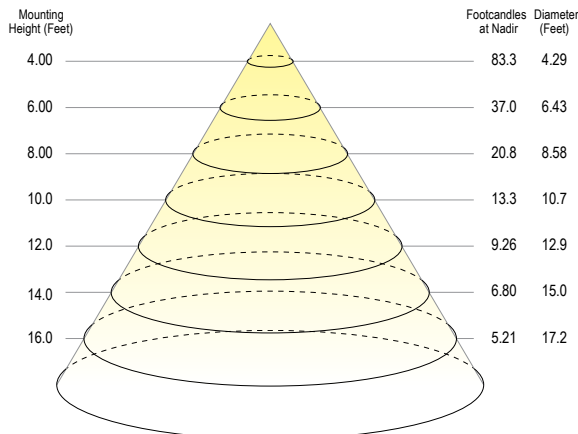
Zone	Lumens	% of Luminaire
0-40	2453	97.1%
0-60	2521	99.8%
0-90	2527	100.0%

Acrobat Downlight 4" NC, RM Models (2700K, 90 CRI, 80° Optic, 35W)
Round, Standard, White Trim

Polar Plot



Cone of Light Tabulation



Voltage	Current	Power
120.1 VAC	0.315 A	37.47 W

Power Factor	Frequency	Current THD
0.989	60 Hz	11.7%

Summary of Results

Spacing Criteria 0-180: 1.07
90-270: 1.07

Total Lumen Output: 2219 Lumens
Luminaire Efficacy: 59.2 lm/w
Maximum Candela: 1333 Candela

Zone	Lumens	% of Luminaire
0-40	1686	76.0%
0-60	2188	98.6%
0-90	2219	100.0%

DIMMING DRIVER COMPATIBILITY

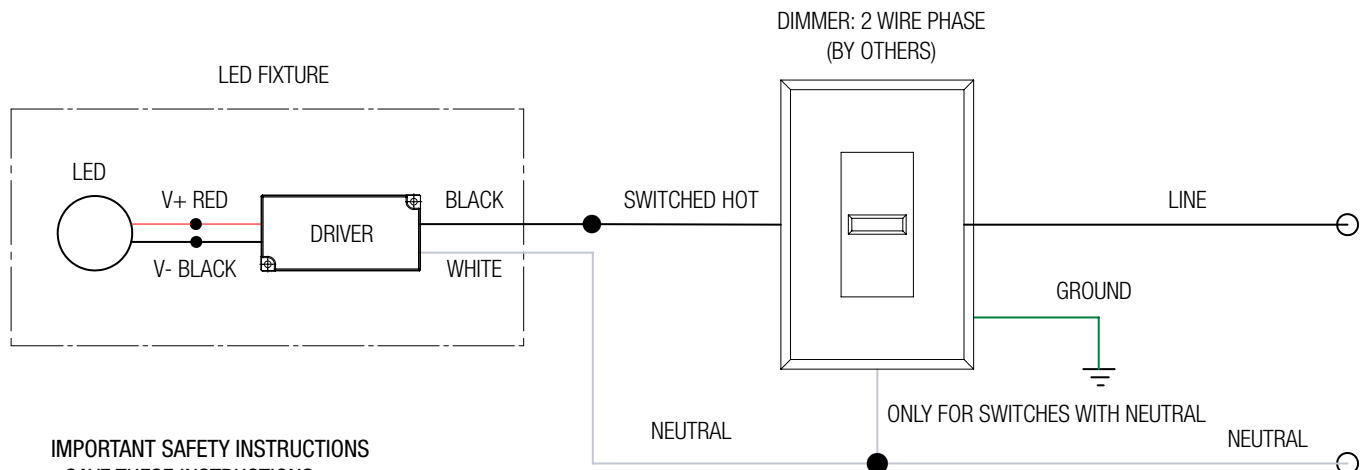
DIMMER LIST

"S" ERP PHASE-CUT DIMMERS			
Dimmer Information			
Manufacturer	Product	Manufacturer	Product
Cooper	DAL06P	Lightolier	ZP260QEW
	DLC03P	Lutron	CT103P
	SLC03P		DV600P
Leviton	6161		DVCL-153P
	6631-2		DVELV303P
	6633-P		FAELV500
	6673-10W		LG600P
	6683-IW		MAELV600
	IPE04		S600P
	IPI06-1LZ		S-603PG
	VPE06		SELV300P
			TG-600P
			TGCL-153P

NOTES:

Wiring diagrams are examples of typical installations intended to illustrate the number of wires that must be run to fixture. These diagrams are not intended to specify all equipment necessary for a given dimming circuit. Refer to specific dimmer manufacturer's documentation for details.

S- ERP DRIVER 2 WIRE PHASE DIMMING



**IMPORTANT SAFETY INSTRUCTIONS
- SAVE THESE INSTRUCTIONS**

1. Keep these instructions in a safe place for future reference.
2. Only qualified electricians in accordance to local codes should install these fixtures.
3. De-energize the electrical circuit at the circuit breaker prior to installation process or servicing.
4. Make sure all connections are in accordance with the National Electrical Code and any local regulations.
5. Cap any wires not used separately (not together).

DIMMING DRIVER COMPATIBILITY

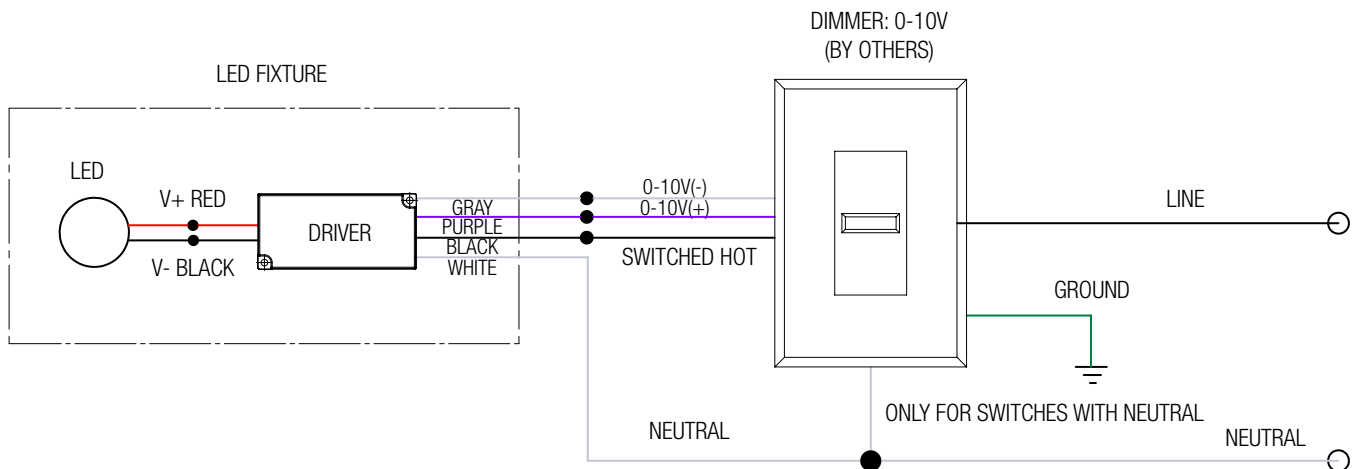
DIMMER LIST

"S" ERP 0-10V	
Dimmer Information	
Manufacturer	Product
Leviton	IP740-DLZ
Lightolier	ZP600FAM120
	V2000FAMU
Lutron	DVTV
	NTFTV
Crestron	CLS-EXP-DIMFLV
	DIN-4DIMFLV4
	DIN-A08
	GLX-DIMFLV8

NOTES:

Wiring diagrams are examples of typical installations intended to illustrate the number of wires that must be run to fixture. These diagrams are not intended to specify all equipment necessary for a given dimming circuit. Refer to specific dimmer manufacturer's documentation for details.

S- ERP DRIVER 0-10V DIMMING



IMPORTANT SAFETY INSTRUCTIONS

- SAVE THESE INSTRUCTIONS

1. Keep these instructions in a safe place for future reference.
2. Only qualified electricians in accordance with local codes should install these fixtures.
3. De-energize the electrical circuit at the circuit breaker prior to installation process or servicing.
4. Make sure all connections are in accordance with the National Electrical Code and any local regulations.
5. Cap any wires not used separately (not together).

DIMMING DRIVER COMPATIBILITY

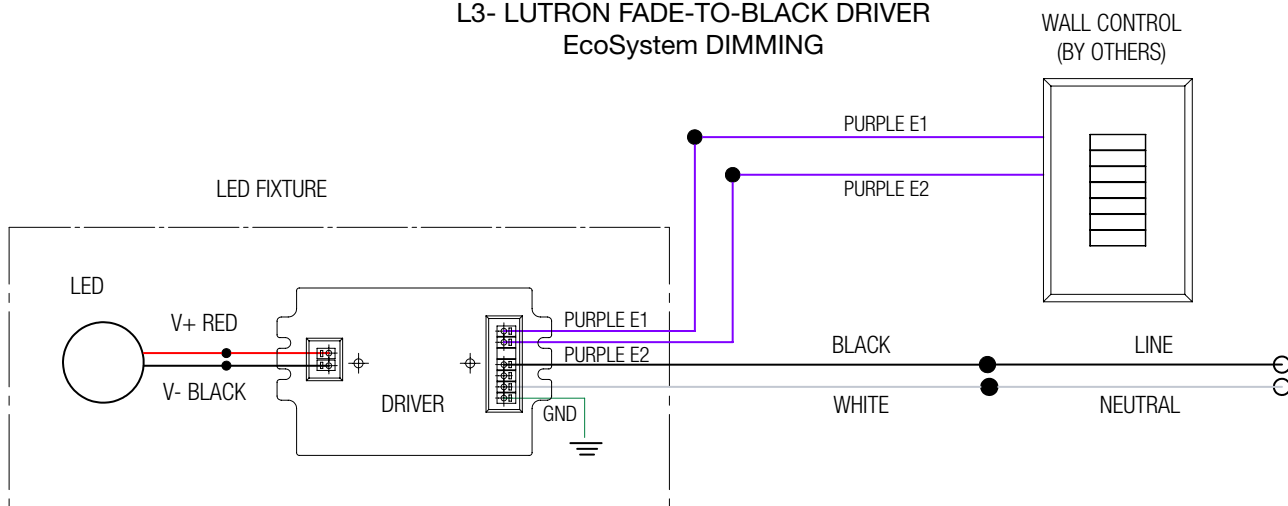
DIMMER LIST

"L3" Lutron Fade-to-Black	
Dimmer Information	
Manufacturer	Product
Lutron	LQSE-2ECO-D
	RMJ-ECO32-DV-B
	FCJ/FCJS-ECO
	QSN-1ECO-S
	QSN-2ECO-S
	EcoSystem ESN
	Grafik Eye QS with EcoSystem
	Quantum

NOTES:

Wiring diagrams are examples of typical installations intended to illustrate the number of wires that must be run to fixture. These diagrams are not intended to specify all equipment necessary for a given dimming circuit. Refer to specific dimmer manufacturer's documentation for details.

L3- LUTRON FADE-TO-BLACK DRIVER EcoSystem DIMMING



IMPORTANT SAFETY INSTRUCTIONS

- SAVE THESE INSTRUCTIONS

1. Keep these instructions in a safe place for future reference.
2. Only qualified electricians in accordance to local codes should install these fixtures.
3. De-energize the electrical circuit at the circuit breaker prior to installation process or servicing.
4. Make sure all connections are in accordance with the National Electrical Code and any local regulations.
5. Cap any wires not used separately (not together).

DIMMING DRIVER COMPATIBILITY

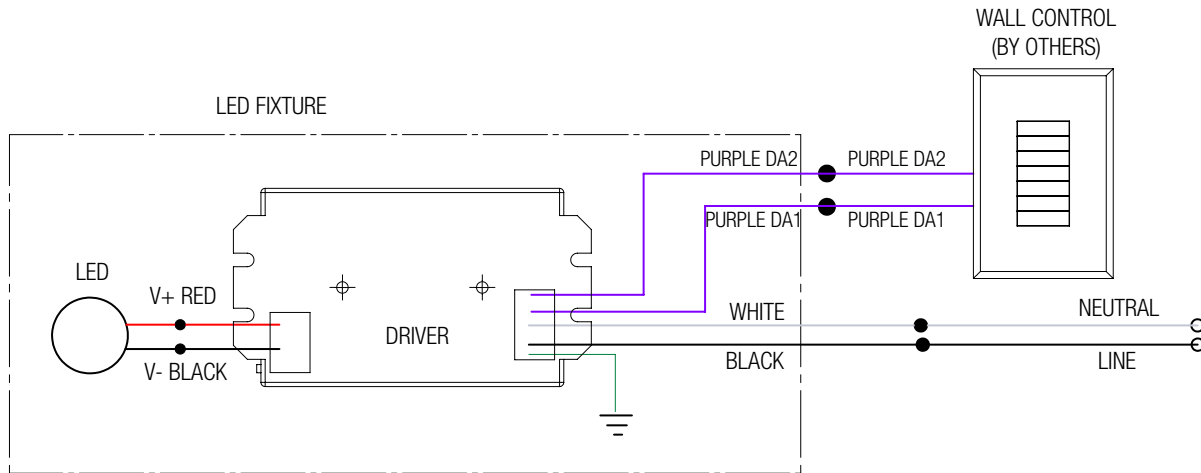
DIMMER LIST

"EL1" eldoLED DALI 1%	
Dimmer Information	
Manufacturer	Product
	DALI Controls

NOTES:

Wiring diagrams are examples of typical installations intended to illustrate the number of wires that must be run to fixture. These diagrams are not intended to specify all equipment necessary for a given dimming circuit. Refer to specific dimmer manufacturer's documentation for details.

**EL1- eldoLED DRIVER
DALI DIMMING**



IMPORTANT SAFETY INSTRUCTIONS

- SAVE THESE INSTRUCTIONS

1. Keep these instructions in a safe place for future reference.
2. Only qualified electricians in accordance to local codes should install these fixtures.
3. De-energize the electrical circuit at the circuit breaker prior to installation process or servicing.
4. Make sure all connections are in accordance with the National Electrical Code and any local regulations.
5. Cap any wires not used separately (not together).

DIMMING DRIVER COMPATIBILITY

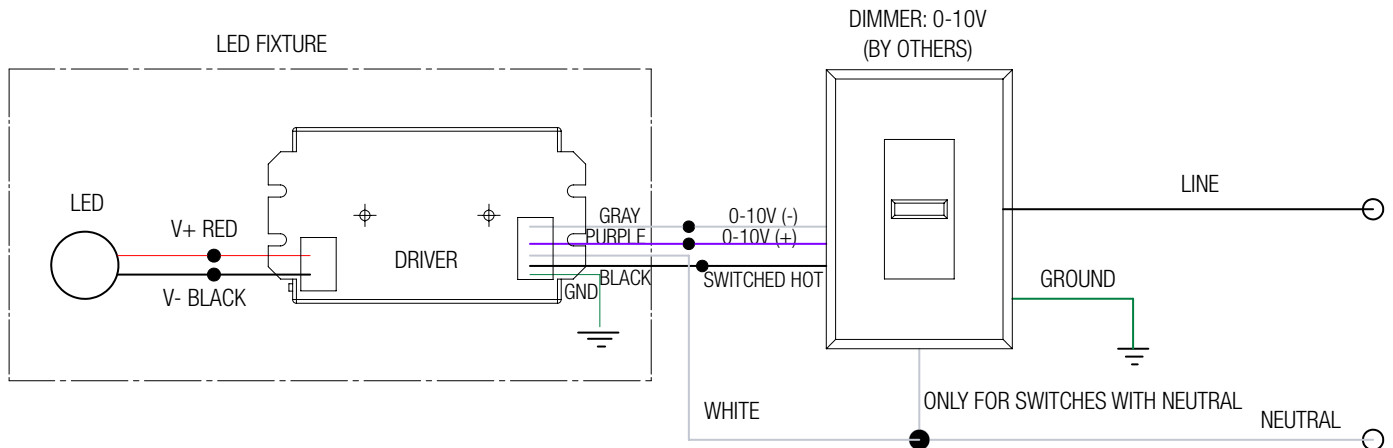
DIMMER LIST

"EL2"eldoLED 0-10V 1%	
Dimmer Information	
Manufacturer	Product
Leviton	IP740-DLX
Lightolier	ZP600FAM120
Lutron	DVTV
	NTFTV
	NFTV
Crestron	CLS-EXP-DIMFLV
	DIN-4DIMFLV4
	DIN-A08
	GLX-DIMFLV8

NOTES:

Wiring diagrams are examples of typical installations intended to illustrate the number of wires that must be run to fixture. These diagrams are not intended to specify all equipment necessary for a given dimming circuit. Refer to specific dimmer manufacturer's documentation for details.

EL2- eldoLED DRIVER 0-10V DIMMING



IMPORTANT SAFETY INSTRUCTIONS

- SAVE THESE INSTRUCTIONS

1. Keep these instructions in a safe place for future reference.
2. Only qualified electricians in accordance to local codes should install these fixtures.
3. De-energize the electrical circuit at the circuit breaker prior to installation process or servicing.
4. Make sure all connections are in accordance with the National Electrical Code and any local regulations.
5. Cap any wires not used separately (not together).

DIMMING DRIVER COMPATIBILITY

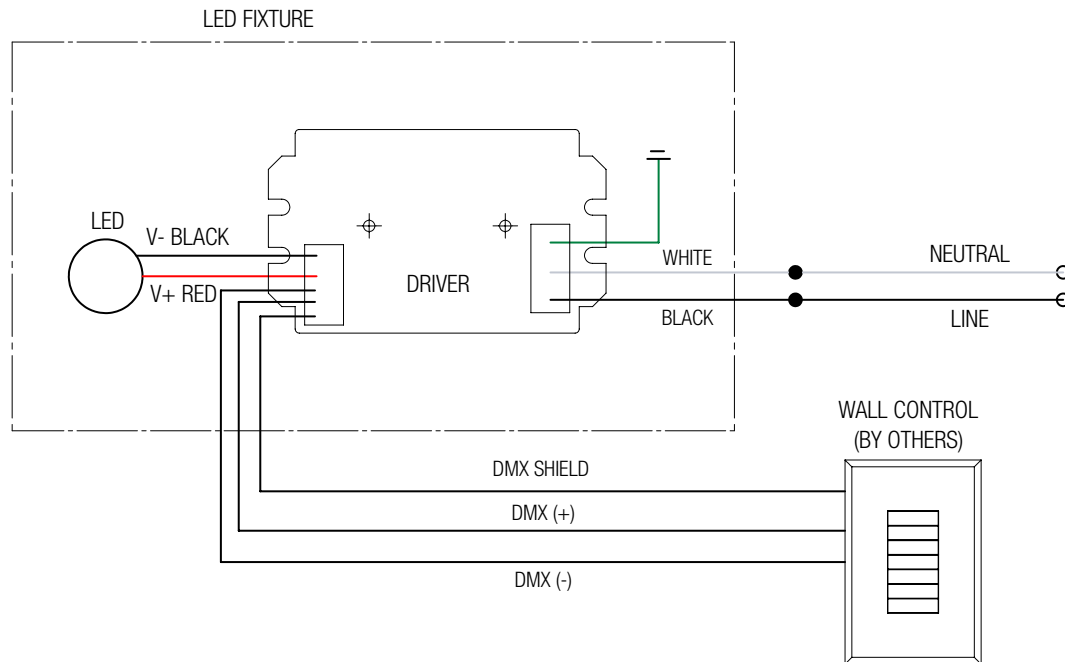
DIMMER LIST

"DMX" Moons	
Dimmer Information	
Manufacturer	Product
	DMX Controls

NOTES:

Wiring diagrams are examples of typical installations intended to illustrate the number of wires that must be run to fixture. These diagrams are not intended to specify all equipment necessary for a given dimming circuit. Refer to specific dimmer manufacturer's documentation for details.

DMX- MOONS DRIVER DMX DIMMING



IMPORTANT SAFETY INSTRUCTIONS

- SAVE THESE INSTRUCTIONS

1. Keep these instructions in a safe place for future reference.
2. Only qualified electricians in accordance to local codes should install these fixtures.
3. De-energize the electrical circuit at the circuit breaker prior to installation process or servicing.
4. Make sure all connections are in accordance with the National Electrical Code and any local regulations.
5. Cap any wires not used separately (not together).